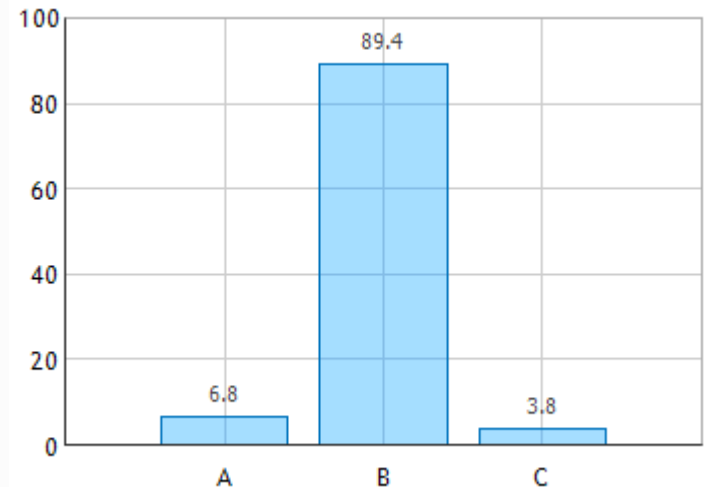
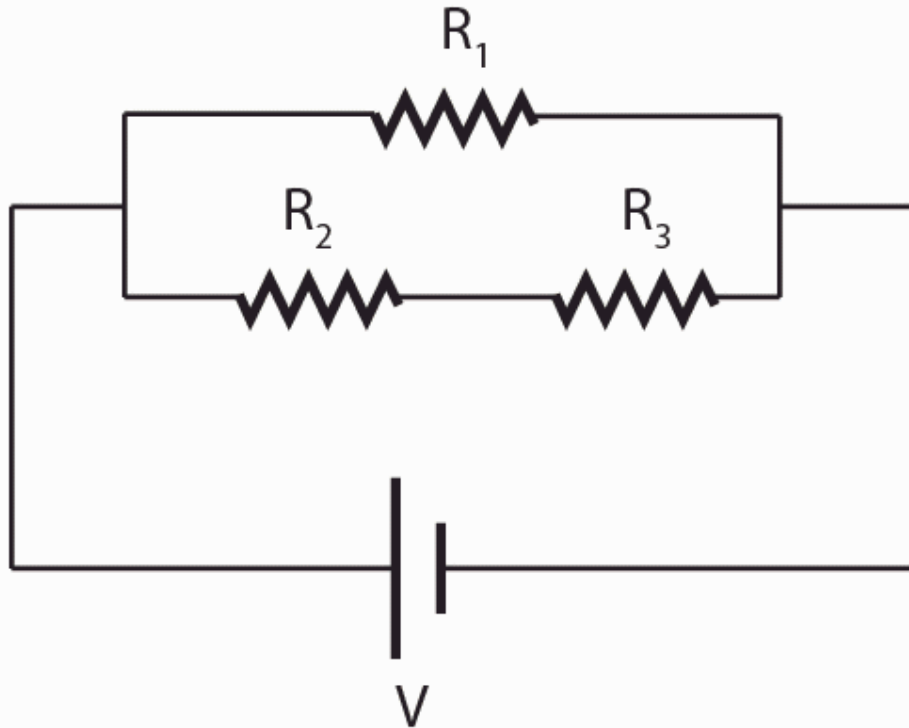


CheckPoint 2a

Three resistors are connected to a battery with emf V as shown. The resistances of the resistors are all the same, i.e. $R_1 = R_2 = R_3 = R$.



Compare the current through R_2 with the current through R_3 :

A. $I_2 > I_3$

B. $I_2 = I_3$

C. $I_2 < I_3$

R_2 in series with R_3



Current through R_2 and R_3 is the same

$$I_{23} = \frac{V}{R_2 + R_3}$$