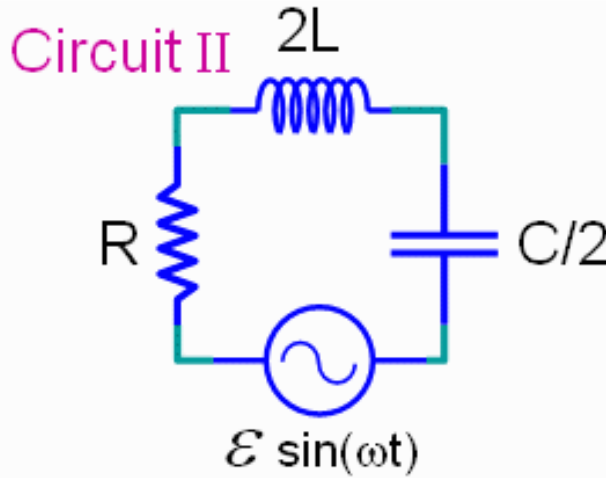
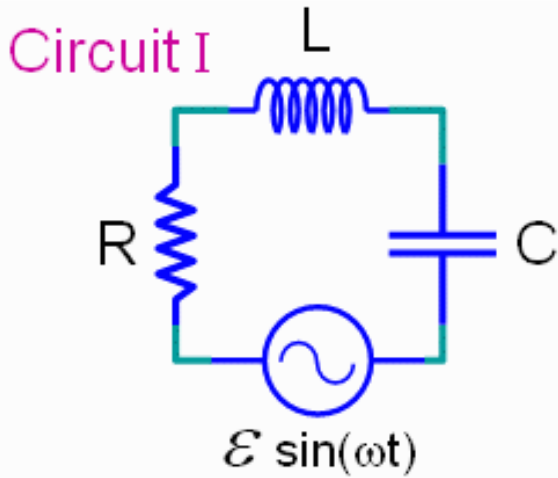


CheckPoint 1D



Consider two RLC circuits with identical generators and resistors. Both circuits are driven at the resonant frequency. Circuit II has twice the inductance and 1/2 the capacitance of circuit I as shown

At the resonant frequency, which of the following is true?

- A. Current leads voltage across the generator
- B. Current lags voltage across the generator
- C. Current is in phase with voltage across the generator**

The voltage across the inductor and the capacitor are equal when at resonant frequency, so there is no lag or lead.

