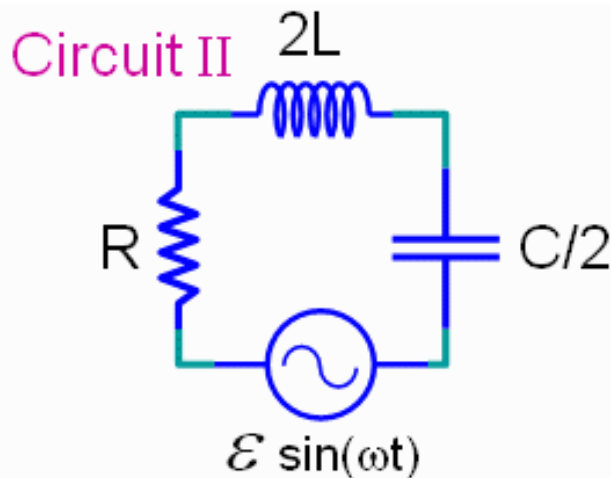
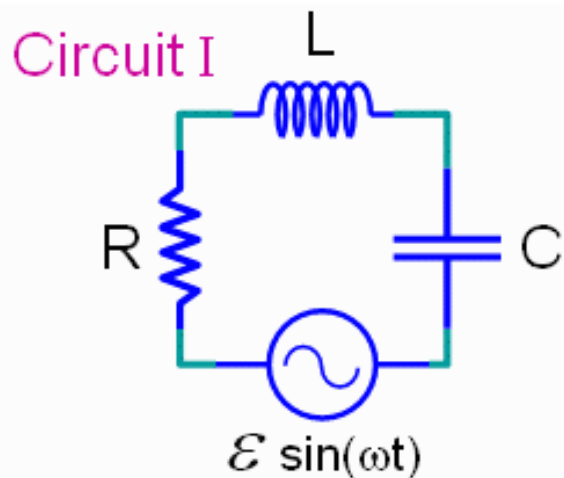


CheckPoint 1c



Consider two RLC circuits with identical generators and resistors. Both circuits are driven at the resonant frequency. Circuit II has twice the inductance and 1/2 the capacitance of circuit I as shown

Compare the peak voltage across the capacitor in the two circuits

A. $V_I > V_{II}$

B. $V_I = V_{II}$

C. $V_I < V_{II}$

The peak voltage will be greater in circuit 2 because the value of X_C doubles.

Resonant Circuits: Question 5 (N = 812)

