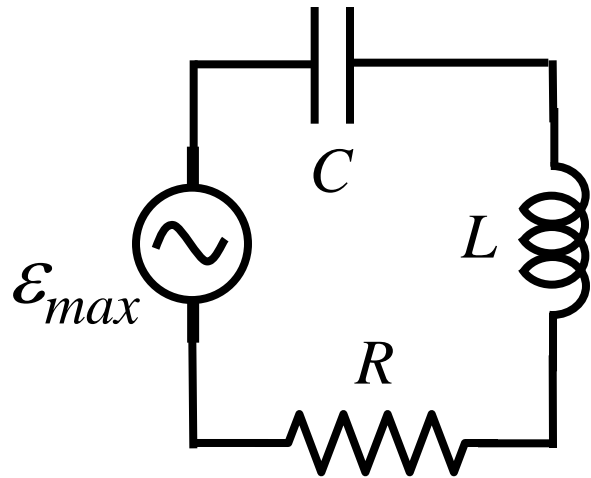


Driven RLC Circuit

Makes sense to write everything in terms of I since this is the same everywhere in a one-loop circuit:

$$V_{max} = I_{max} X_C$$

V 90° behind I



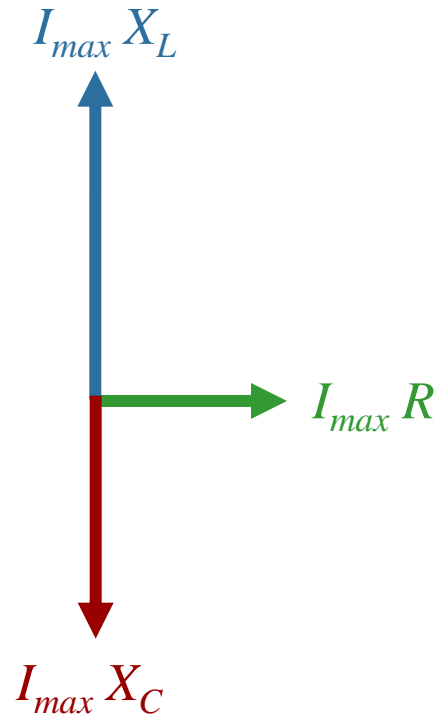
$$V_{max} = I_{max} X_L$$

V 90° ahead of I

$$V_{max} = I_{max} R$$

V in phase with I

Phasors make this simple to see



Always looks the same.
Only the lengths will change