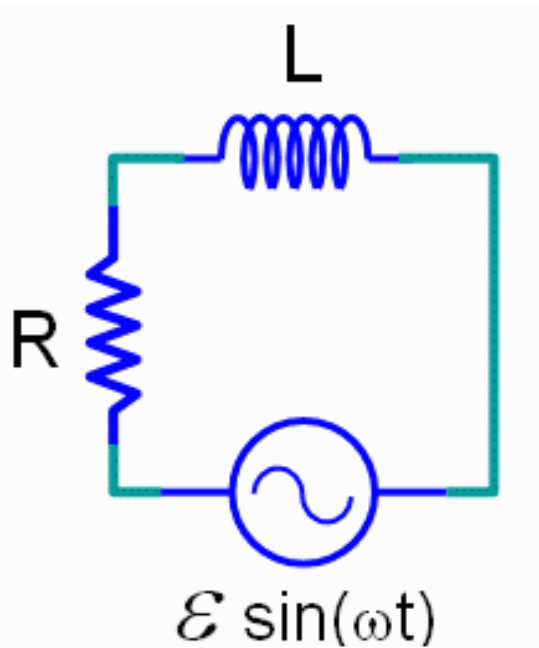


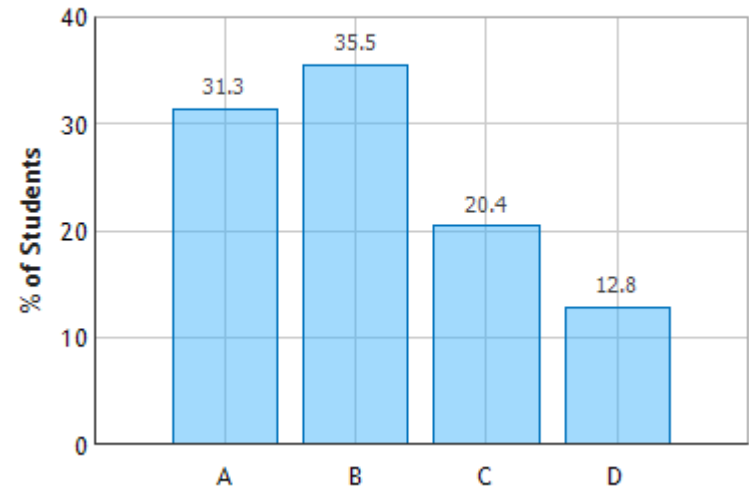
CheckPoint 1c



A RL circuit is driven by an AC generator as shown in the figure.



AC Circuit 1: Question 5 (N = 729)



The phase difference between the CURRENT through the resistor and the CURRENT through the inductor is

- A) Is always zero**
- B) Is always 90°**
- C) Depends on the value of L and R**
- D) Depends on L, R and the generator voltage**

The CURRENT is THE CURRENT
There is only 1 current in this circuit
Same everywhere in circuit