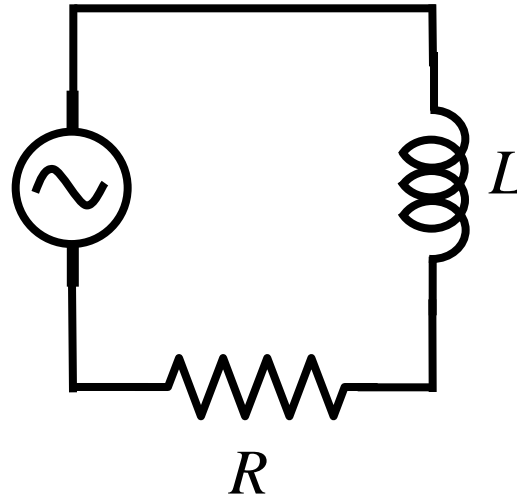


# RL Clicker Question



An RL circuit is driven by an *AC* generator as shown in the figure.



$$X_L = \omega L$$

As  $\omega \rightarrow 0$ , so does  $X_L$



As  $\omega \rightarrow 0$ ,  
resistance of circuit  $R$   
current gets bigger

For what driving frequency  $\omega$  of the generator will the current through the resistor be largest

- A)  $\omega$  large
- B) Current through  $R$  doesn't depend on  $\omega$
- C)  $\omega$  small