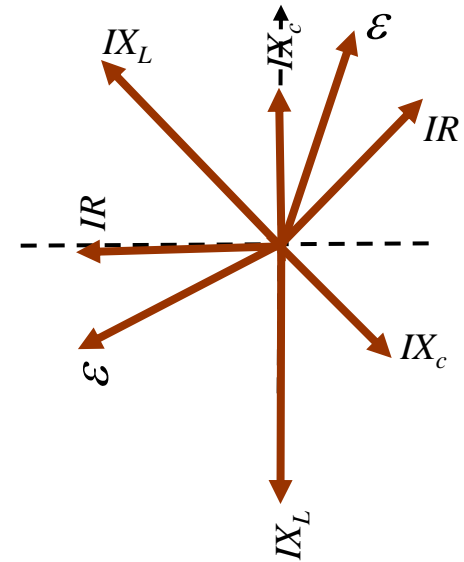
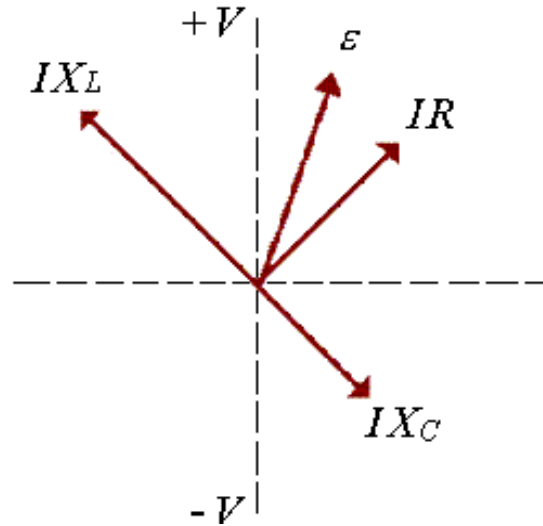
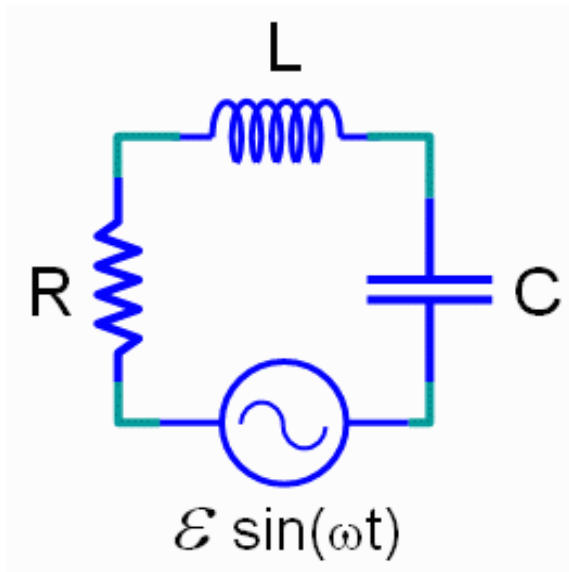


CheckPoint 2C



A driven RLC circuit is represented by the phasor diagram below.



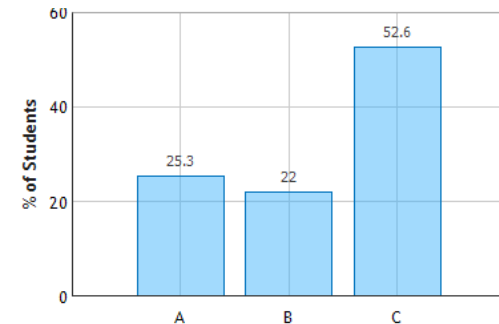
When the voltage across the capacitor is at its positive maximum, $V_C = +V_{C,max}$, what is the voltage across the inductor?

A) $V_L = 0$

B) $V_L = V_{L,max}$

C) $V_L = -V_{L,max}$

What does the voltage phasor diagram look like when the voltage across capacitor is at its positive maximum?



Elect