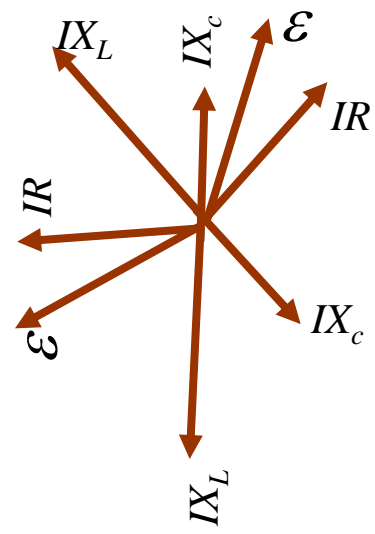
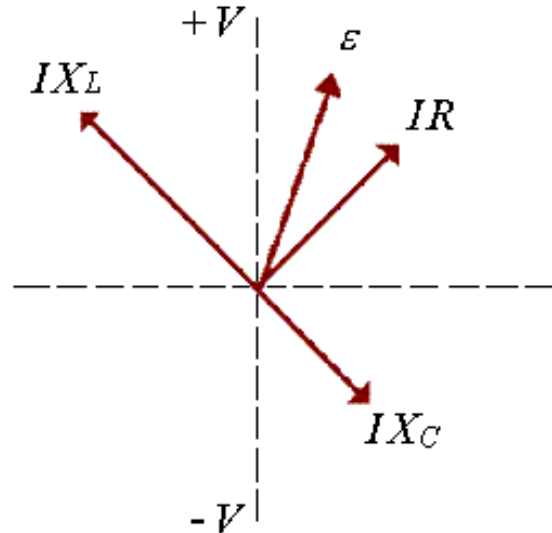
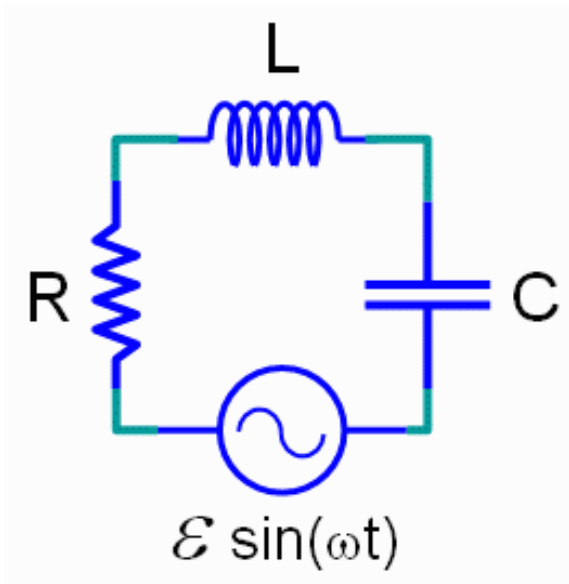


CheckPoint 2b



A driven RLC circuit is represented by the phasor diagram below.



When the capacitor is fully charged, what is the magnitude of the voltage across the inductor?

A) $V_L = 0$

B) $V_L = V_{L,max}/2$

C) $V_L = V_{L,max}$

What does the voltage phasor diagram look like when the capacitor is fully charged?

