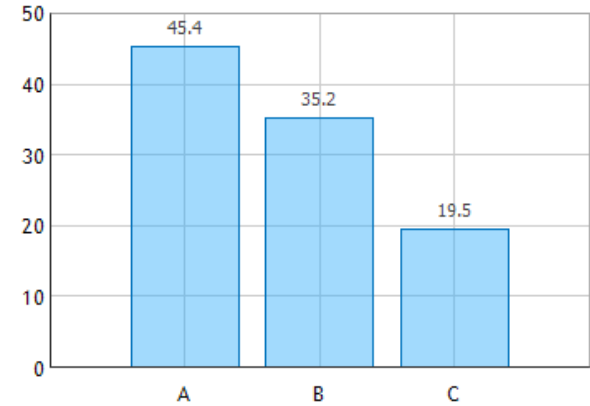
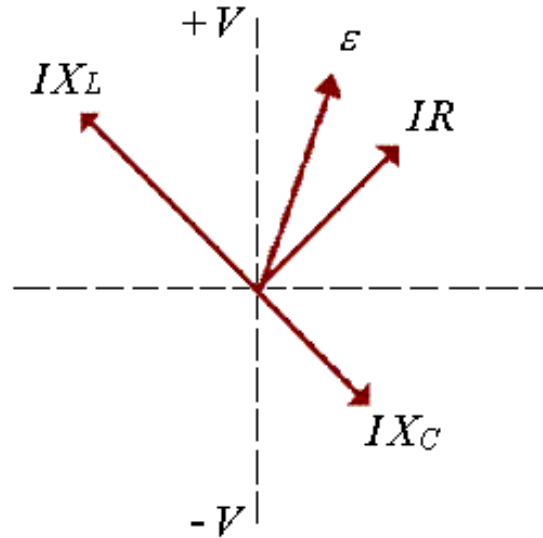
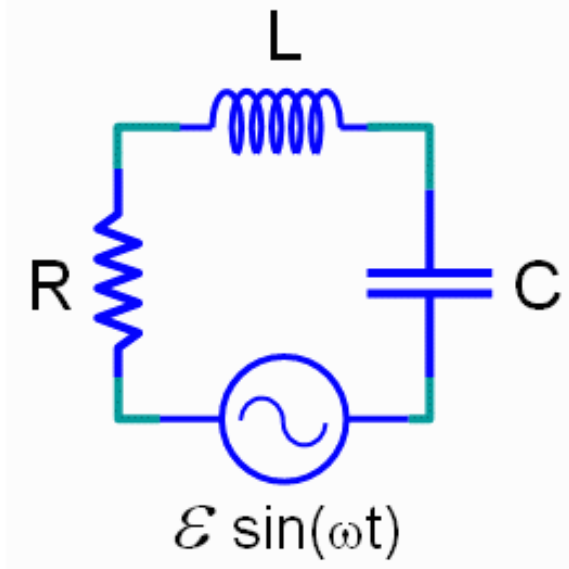


CheckPoint 2a



A driven RLC circuit is represented by the phasor diagram below.



The vertical axis of the phasor diagram represents voltage. When the current through the circuit is maximum, what is the potential difference across the inductor?

A) $V_L = 0$

B) $V_L = V_{L,max}/2$

C) $V_L = V_{L,max}$

What does the voltage phasor diagram look like when the current is a maximum?

