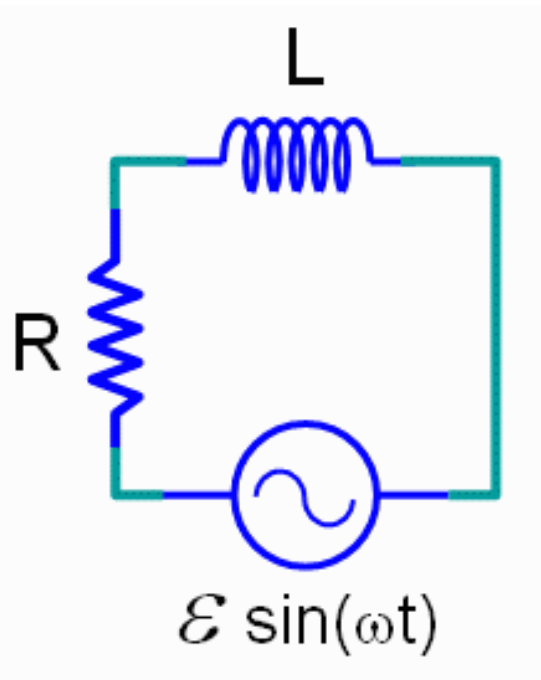


# CheckPoint 1a



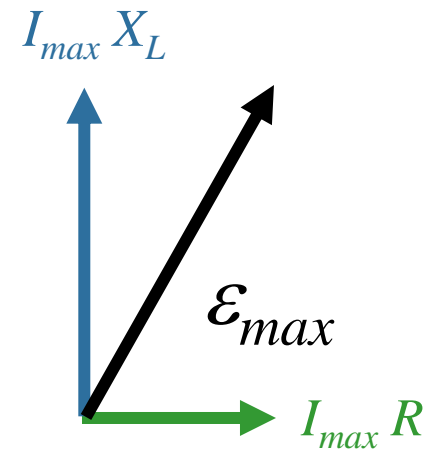
2) A RL circuit is driven by an AC generator as shown in the figure.



The voltages across the resistor and generator are

- A)** Always out of phase
- B)** Always in phase
- C)** Sometimes in and sometimes out of phase

Draw Voltage Phasors



AC Circuit 1: Question 1 (N = 729)

