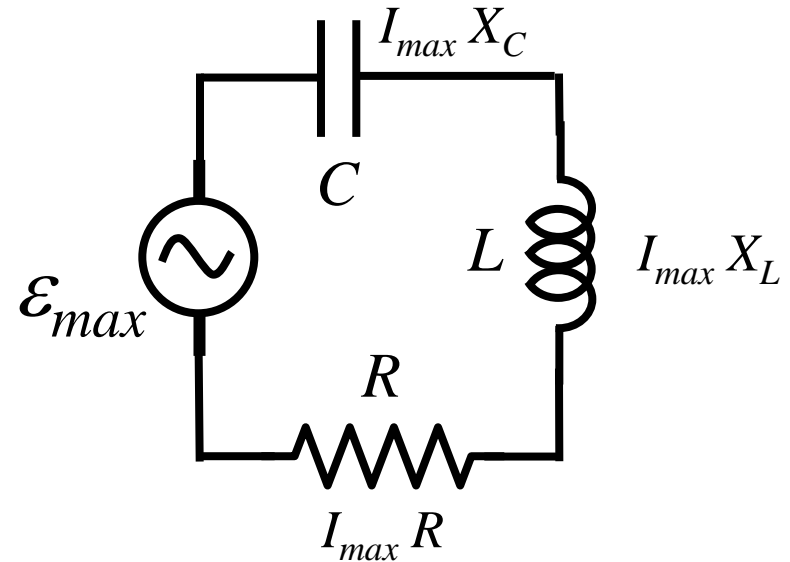
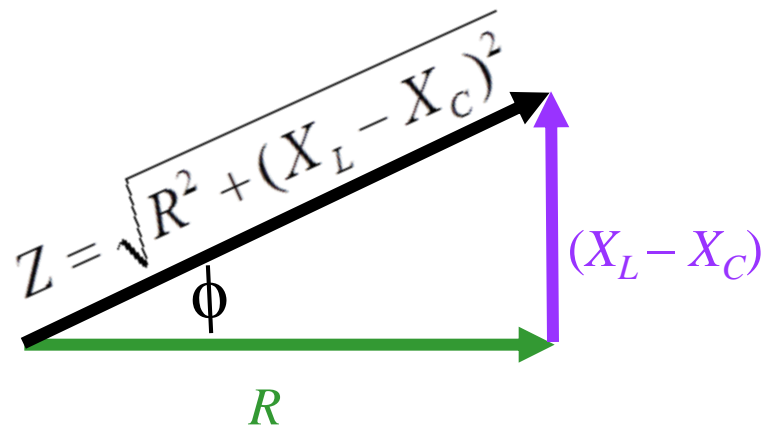
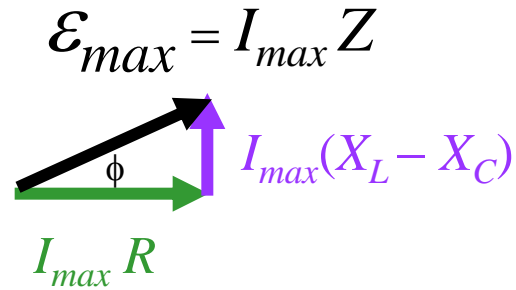


Make this Simpler



Impedance Triangle

$$\tan(\phi) = \frac{X_L - X_C}{R}$$