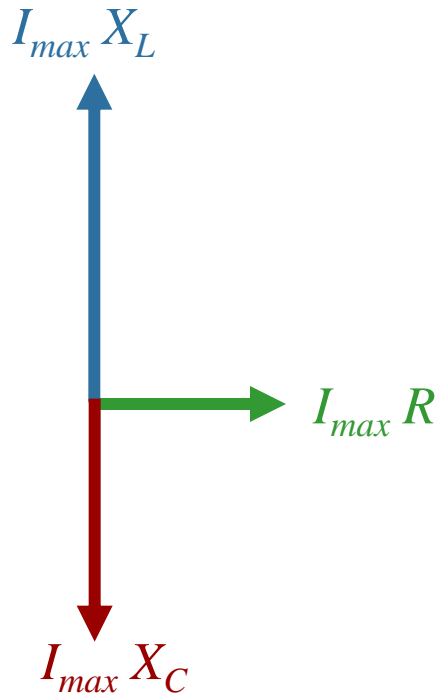
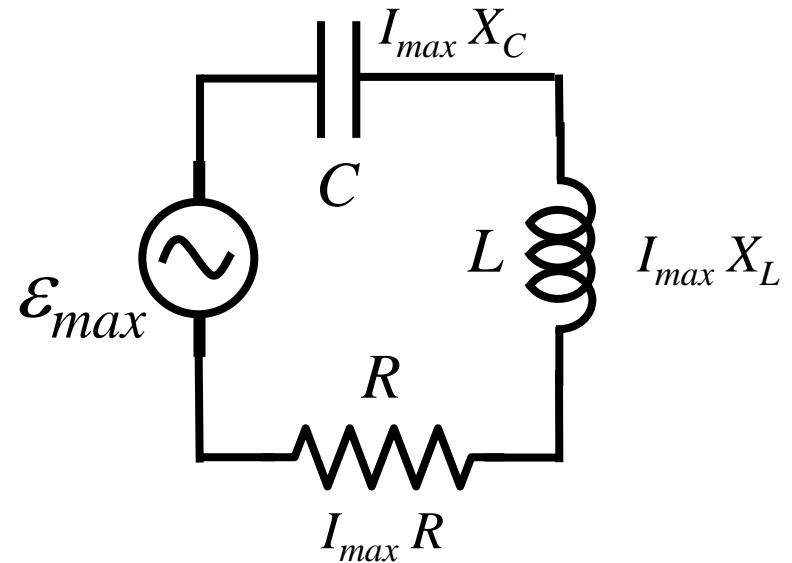


Make this Simpler



$$\mathcal{E}_{max} = I_{max} Z$$

Diagram illustrating the phasor relationship between the maximum EMF \mathcal{E}_{max} and the maximum voltage drops across the circuit components:

- $I_{max} R$ (Resistor voltage drop, green vector)
- $I_{max} (X_L - X_C)$ (Net inductive reactance voltage drop, purple vector)