

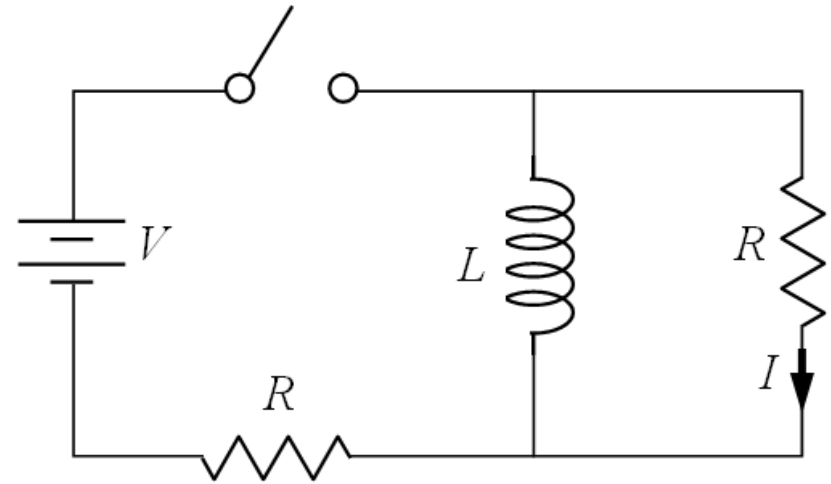
CheckPoint 2b



After a long time, the switch is opened, abruptly disconnecting the battery from the circuit.

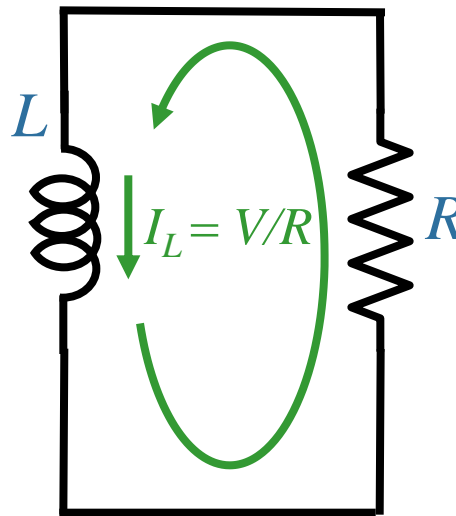
What is the current I through the vertical resistor immediately after the switch is opened?

(+ is in the direction of the arrow)

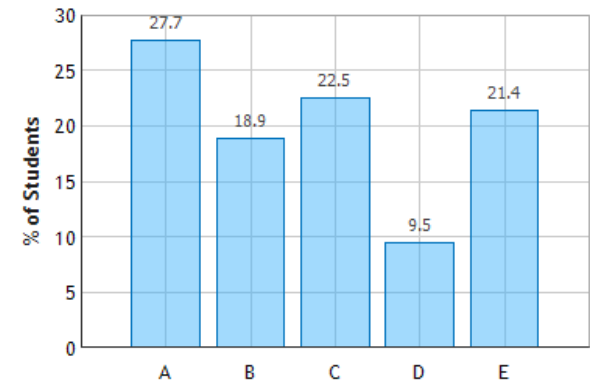


- A) $I = V/R$
- B) $I = V/2R$
- C) $I = 0$
- D) $I = -V/2R$
- E) $I = -V/R$**

circuit when switch opened



RL Circuit: Question 3 (N = 761)



Current through inductor cannot change
DISCONTINUOUSLY