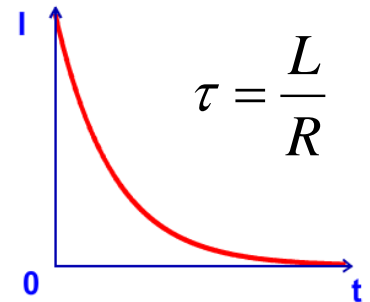
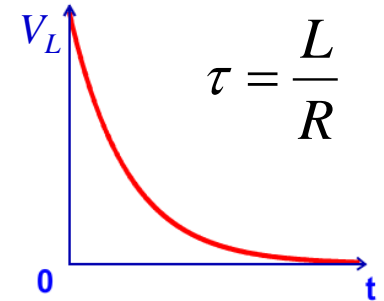
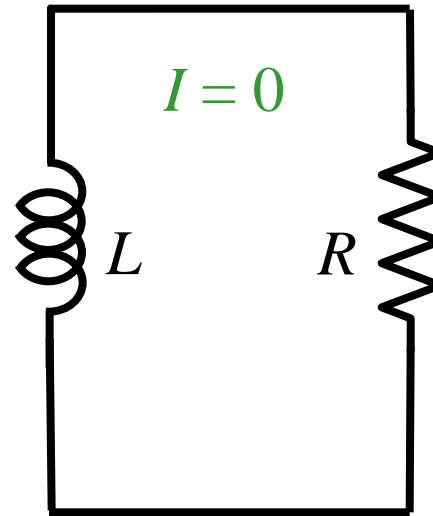
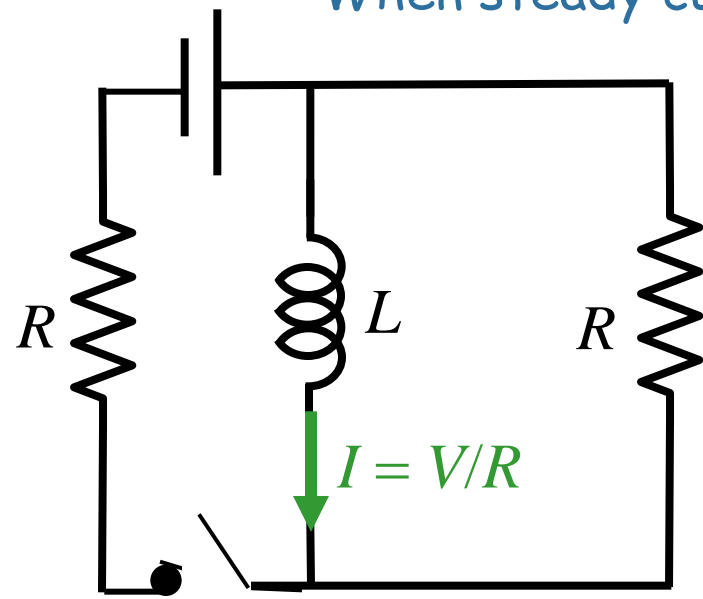


# How to Think about RL Circuits Episode 2:

$V_{BATT}$

When steady current is flowing initially: then switch is opened



At  $t = 0$ :  $I_L$  unchanged

$$I = V_{BATT}/R$$

$$V_R = IR$$

$$V_L = V_R$$

At  $t \gg L/R$ :  $V_L = 0$

$$V_L = 0$$

$$V_R = 0$$

$$I = 0$$