

# CheckPoint 2a



In the circuit, the switch has been open for a long time, and the current is zero everywhere.

At time  $t = 0$  the switch is closed.

What is the current  $I$  through the vertical resistor immediately after the switch is closed?

(+ is in the direction of the arrow)

A)  $I = V/R$

**B)  $I = V/2R$**

C)  $I = 0$

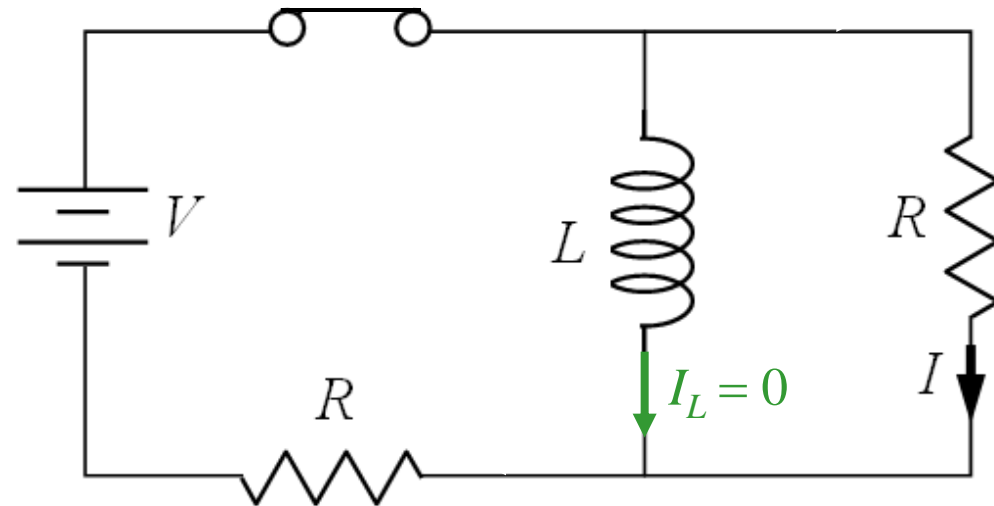
D)  $I = -V/2R$

E)  $I = -V/R$

Before:  $I_L = 0$

After:  $I_L = 0$

**→  $I = + V/2R$**



RL Circuit: Question 1 (N = 761)

