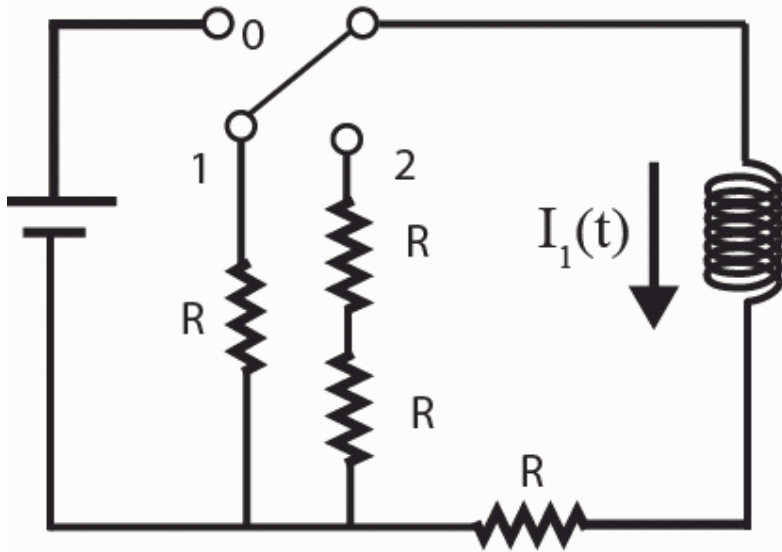


CheckPoint 3c

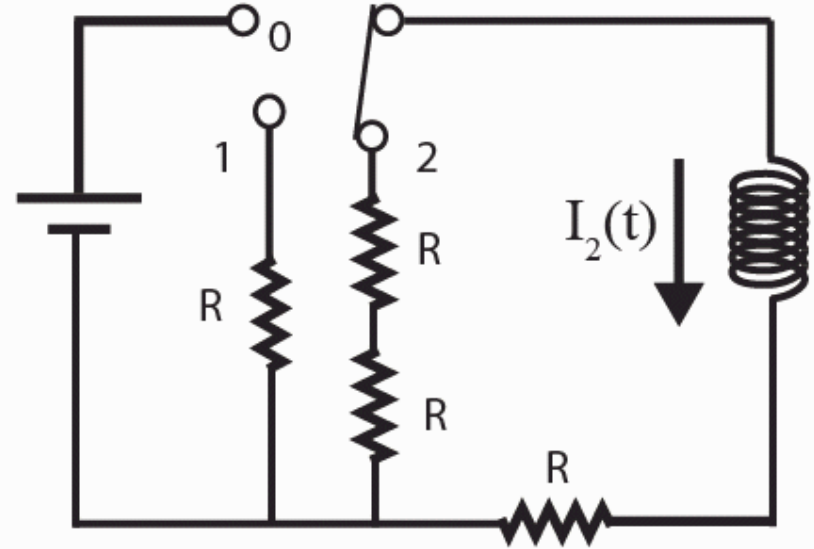


After long time at 0, moved to 1



Case 1

After long time at 0, moved to 2



Case 2

After switch moved for finite time, in which case is the current through the inductor larger?

- A) Case 1
- B) Case 2
- C) The same

Immediately after: $I_1 = I_2$

After awhile

$$I_1 = Ie^{-t/\tau_1}$$

$$I_2 = Ie^{-t/\tau_2}$$

$$\tau_1 > \tau_2$$

Compare RL Circuits: Question 5 (N = 755)

