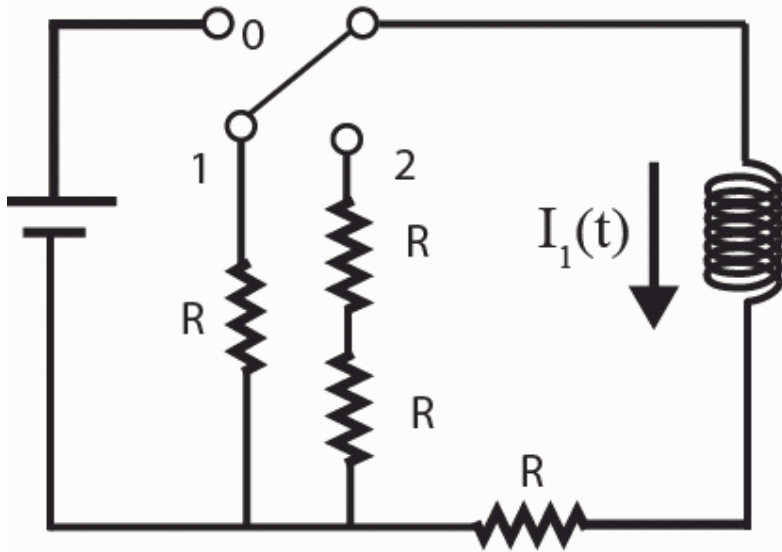


CheckPoint 3b

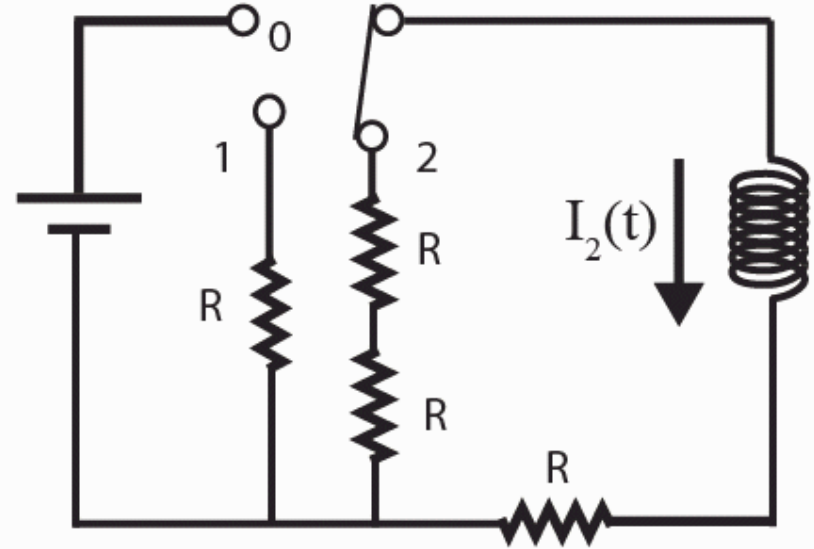


After long time at 0, moved to 1



Case 1

After long time at 0, moved to 2



Case 2

Immediately after switch moved, in which case is the voltage across the inductor larger?

- A) Case 1
- B) Case 2**
- C) The same

Before switch moved: $I = \frac{V}{R}$

After switch moved:

$$V_{L1} = \frac{V}{R} 2R$$

$$V_{L2} = \frac{V}{R} 3R$$

Compare RL Circuits: Question 3 (N = 755)

