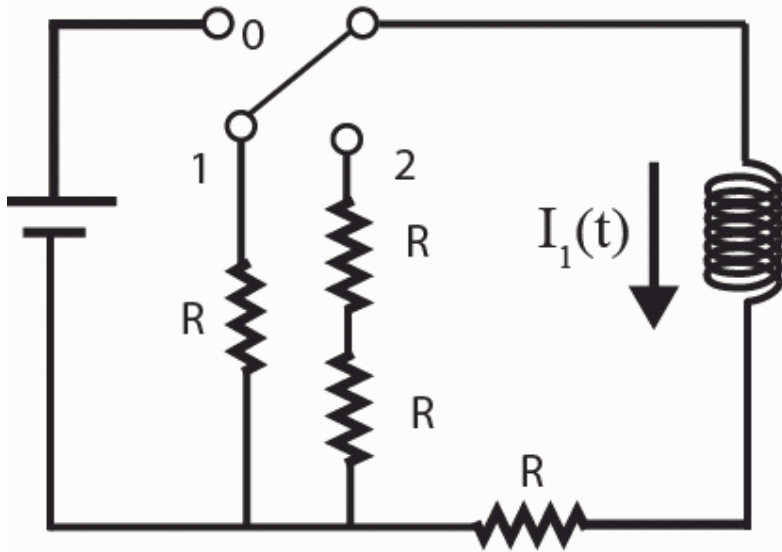


# CheckPoint 3a

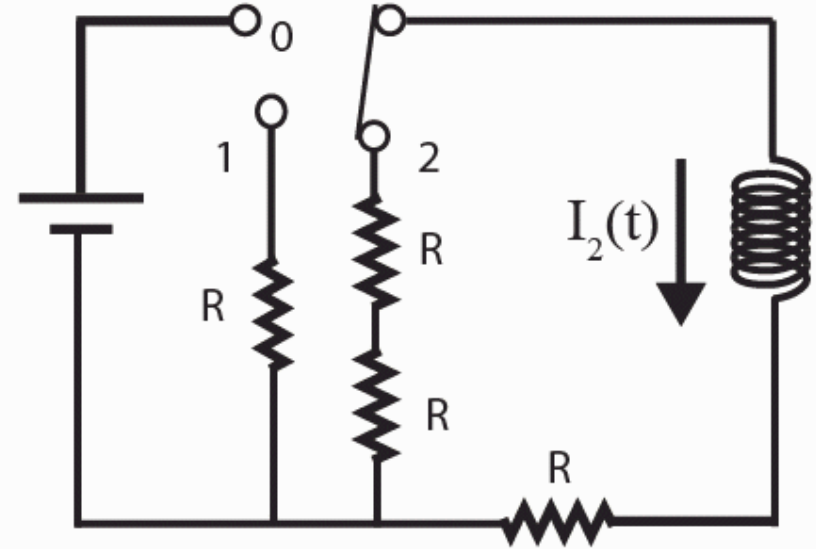


After long time at 0, moved to 1



Case 1

After long time at 0, moved to 2



Case 2

After switch moved, which case has larger time constant?

- A) Case 1
- B) Case 2
- C) The same

$$\tau_1 = \frac{L}{2R} \quad \tau_2 = \frac{L}{3R}$$

Compare RL Circuits: Question 1 (N = 758)

