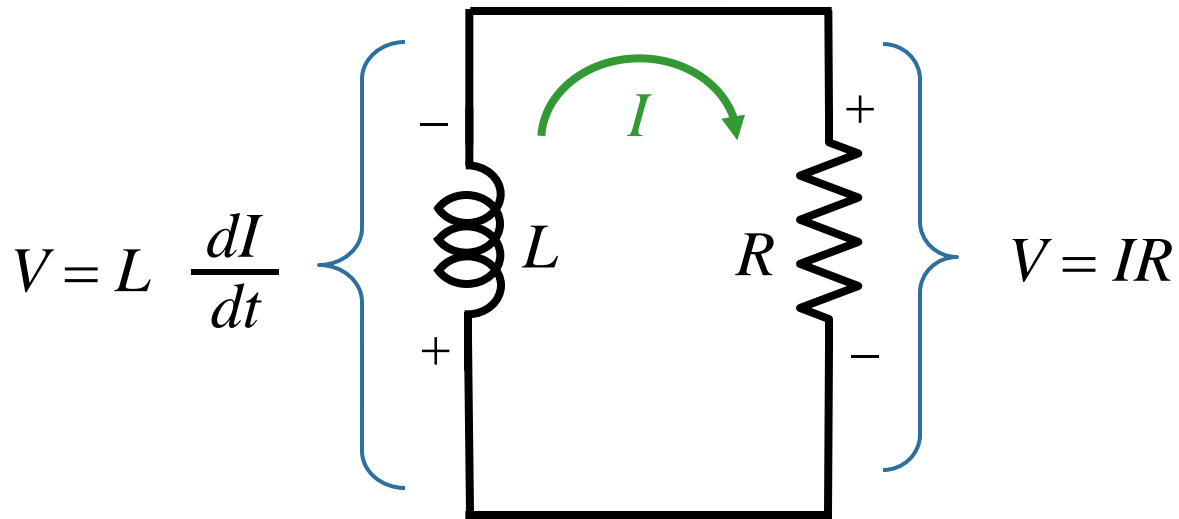


Why is there Exponential Behavior?



$$L \frac{dI}{dt} + IR = 0$$

$$I(t) = I_0 e^{-tR/L} = I_0 e^{-t/\tau}$$

where $\tau = \frac{L}{R}$

