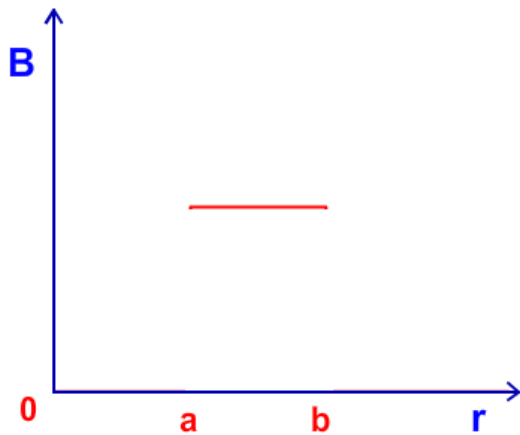
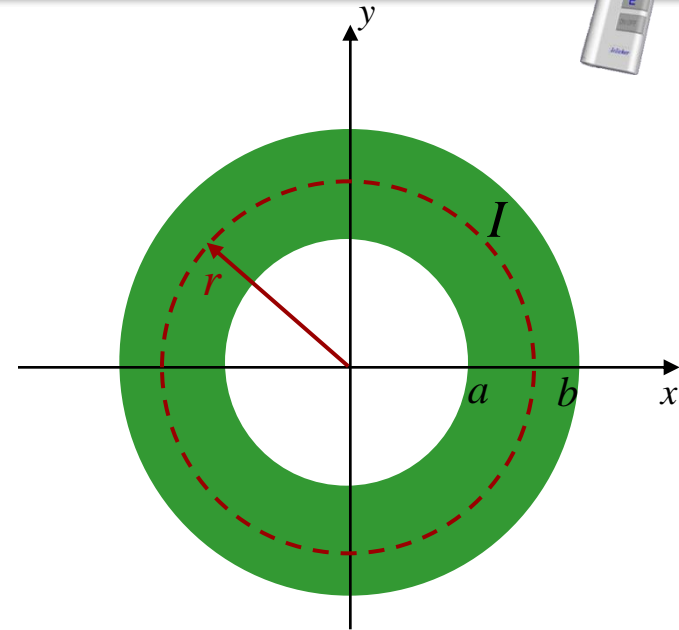


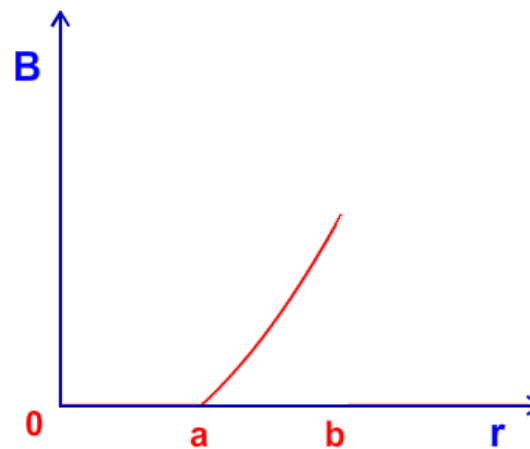
Example Problem



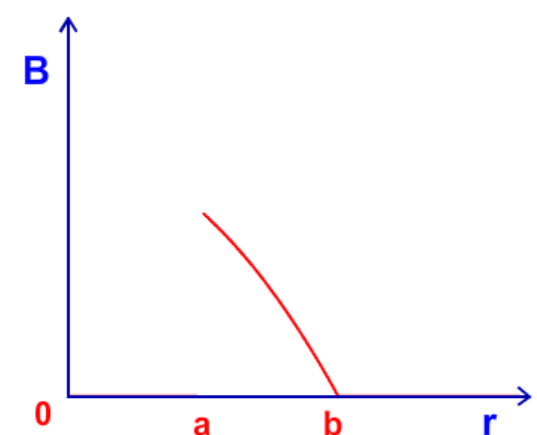
What does $|B|$ look like for $a < r < b$?



A



B



C