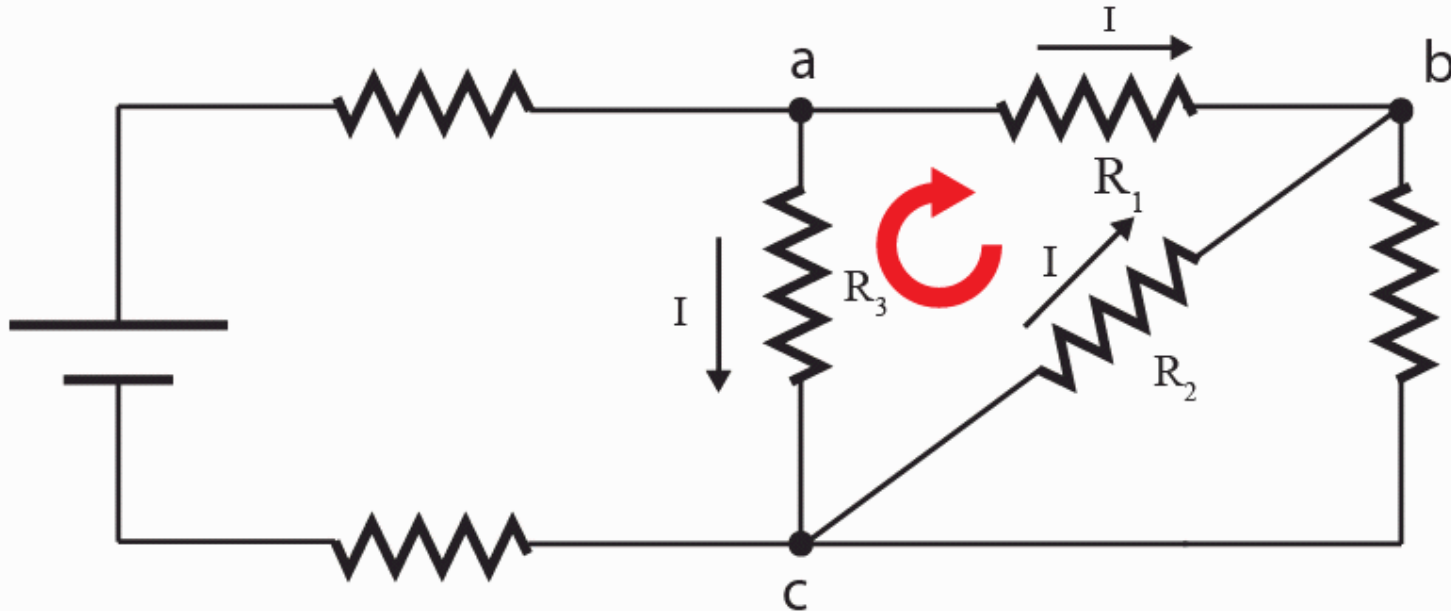


Checkpoint 2

In the following circuit, consider the loop abc. The direction of the current through each resistor is indicated by black arrows.



If we are to write Kirchoff's voltage equation for this loop in the clockwise direction starting from point a, what is the correct order of voltage gains/drops that we will encounter for resistors R1, R2 and R3?

A. drop, drop, drop

B. gain, gain, gain

D. gain, drop, drop

E. drop, drop, gain

C. drop, gain, gain

With the current  VOLTAGE DROP
Against the current  VOLTAGE GAIN

