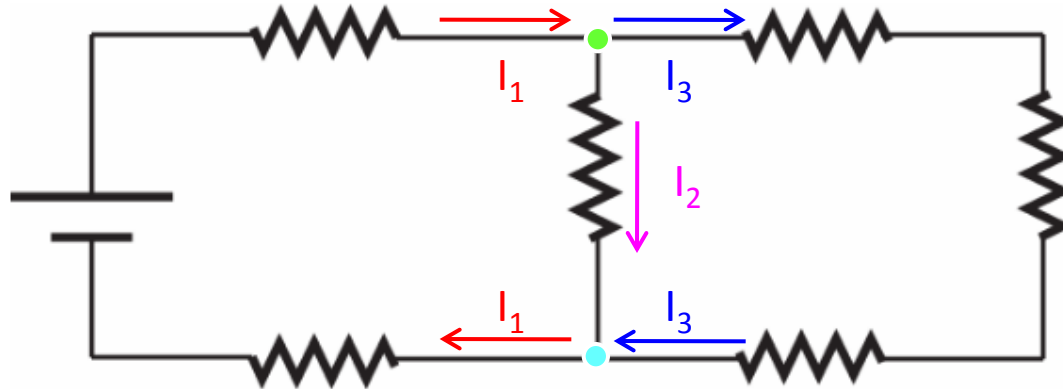


Check Point 1



How many potentially different currents are there in the circuit shown?



- A. 3** B. 4 C. 5 D. 6 E. 7

Look at the nodes!

Top node: I_1 flows in, I_2 and I_3 flow out

Bottom node: I_2 and I_3 flow in, I_1 flows out

That's all of them!

Current Count: Question 1 (N = 764)

