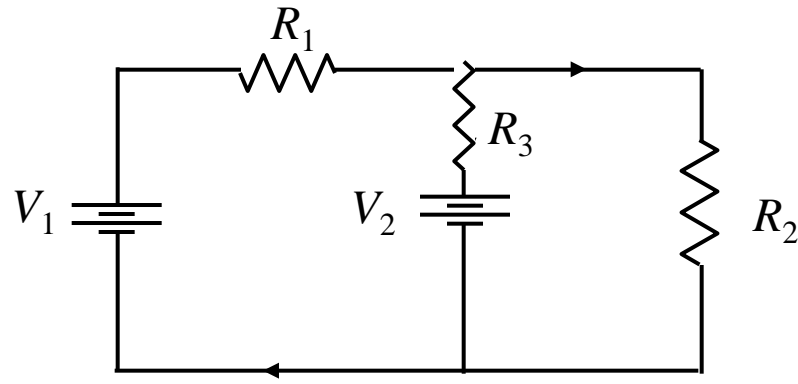
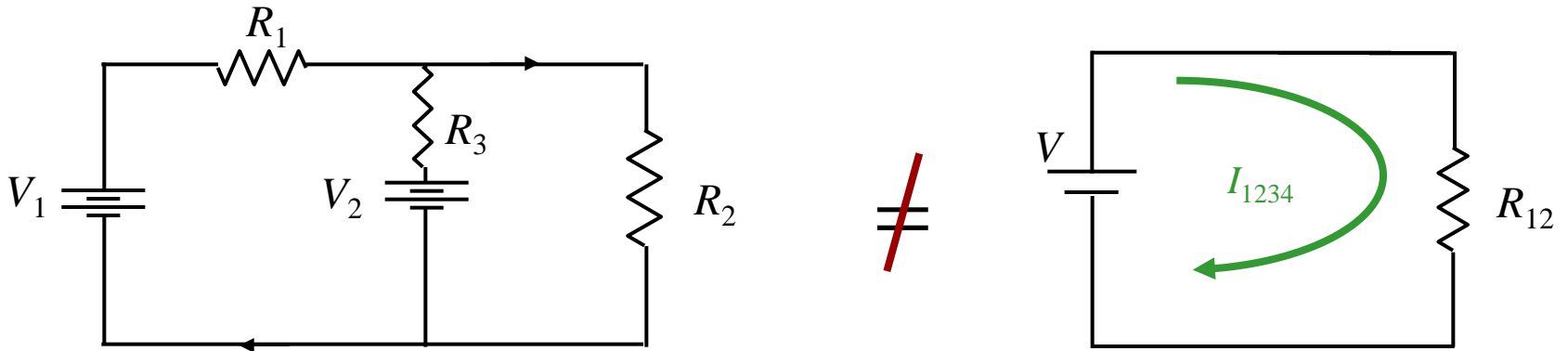


New Circuit



How Can We Solve This One?



THE ANSWER: Kirchhoff's Rules