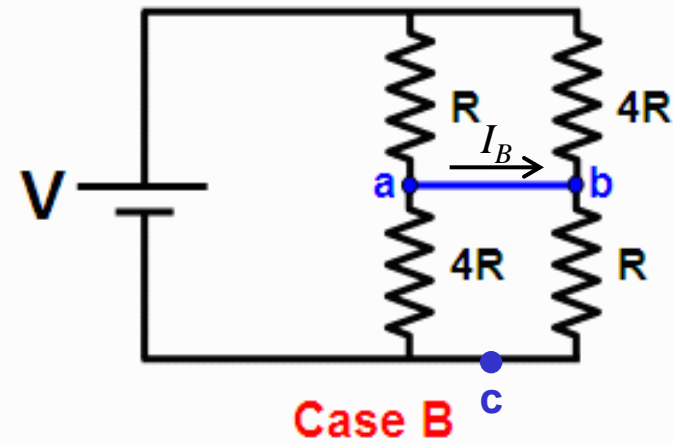
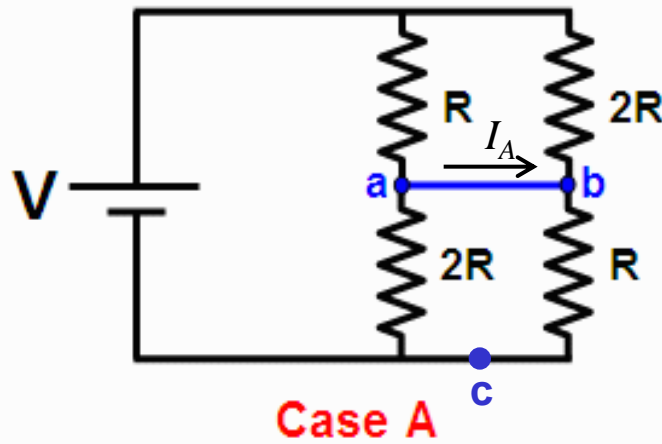


# Checkpoint 3b



which case is the current flowing in the blue wire connecting points **a** and **b** the largest?

**A.** Case A

**B.** Case B

**C.** They are both the same

Current will flow from left to right in both cases.

In both cases,  $V_{ac} = V/2$



$$I_{2R} = 2I_{4R}$$

$$\begin{aligned} I_A &= I_R - I_{2R} \\ &= I_R - 2I_{4R} \end{aligned}$$

$$I_B = I_R - I_{4R}$$

