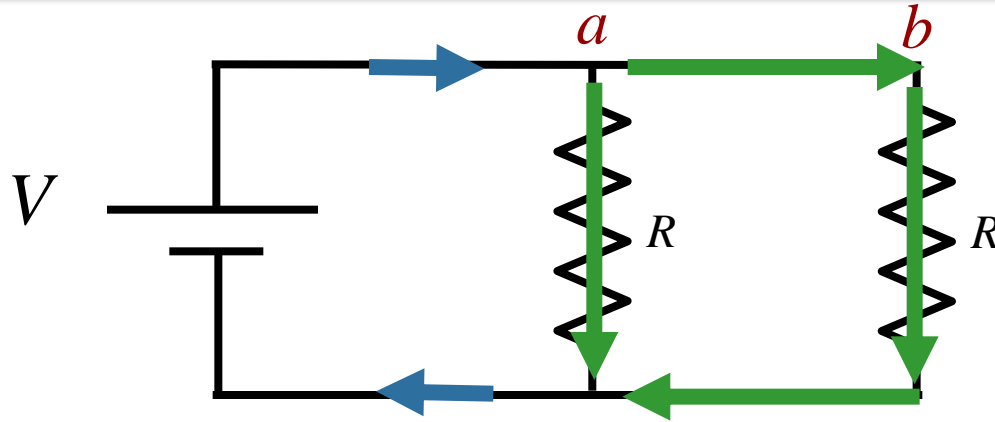


CheckPoint 3 Warm up



Is there a current flowing between a and b ?

A) Yes

B) No

~~a & b have the same potential~~

~~No current flows between a & b~~

Current flows from battery and splits at a

Some current flows down
Some current flows right