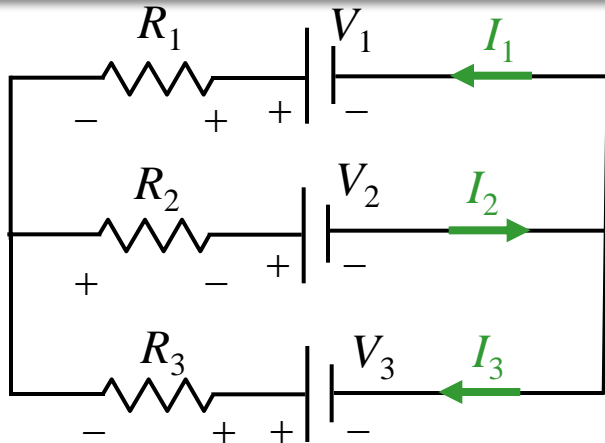


Calculation



In this circuit, assume V_i and R_i are known.

What is I_2 ?

Which of the following equations is NOT correct?

A) $I_2 = I_1 + I_3$

B) $-V_1 + I_1R_1 - I_3R_3 + V_3 = 0$

C) $-V_3 + I_3R_3 + I_2R_2 + V_2 = 0$

D) $-V_2 - I_2R_2 + I_1R_1 + V_1 = 0$

4) Write down voltage drops

5) Write down node equation

Why?

- (D) is an attempt to write down *KVR* for the top loop
- Start at negative terminal of V_2 and go clockwise

$V_{gain} (-V_2)$ then $V_{gain} (-I_2R_2)$ then $V_{gain} (-I_1R_1)$ then $V_{drop} (+V_1)$