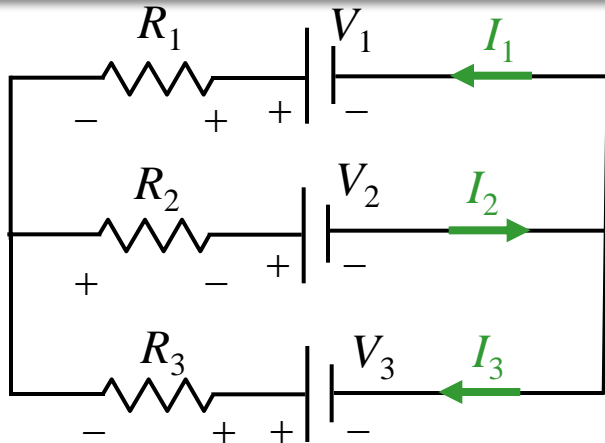


# Calculation



In this circuit, assume  $V_i$  and  $R_i$  are known.

What is  $I_2$  ?

How many equations do we need to write down in order to solve for  $I_2$ ?

A) 1

B) 2

C) 3

D) 4

E) 5

Why?

- We have 3 unknowns:  $I_1$ ,  $I_2$ , and  $I_3$
- We need 3 independent equations to solve for these unknowns

3) Choose Loops and Directions