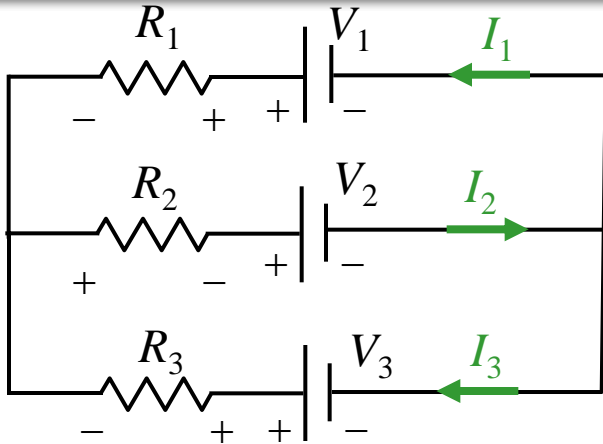


# Calculation



In this circuit, assume  $V_i$  and  $R_i$  are known.

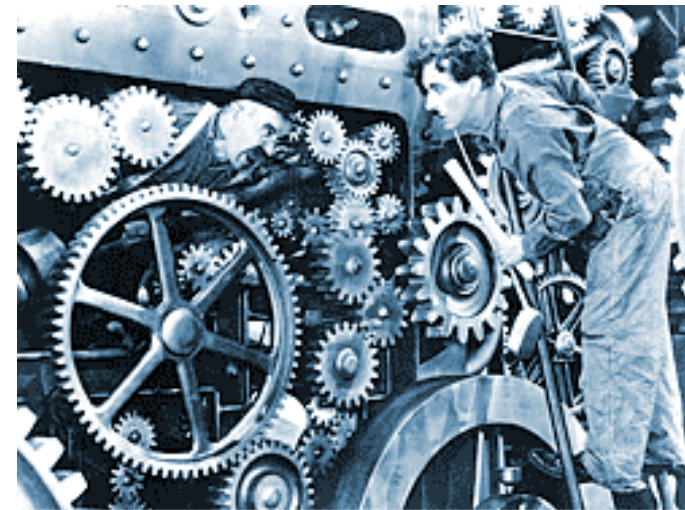
What is  $I_2$  ?

- 1) Label and pick directions for each current
- 2) Label the + and - side of each element

This is easy for batteries Long side is +

For resistors, the “upstream” side is +

Now write down loop and node equations



**Just turn the crank.**