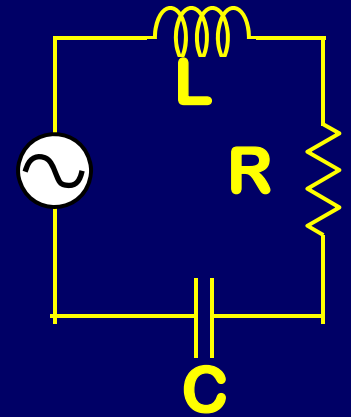




ACT: Resonance



The AC circuit to the right is being driven at its resonance frequency. Compare the maximum voltage across the capacitor with the maximum voltage across the inductor.

- 1) $V_{C,\max} > V_{L,\max}$
- 2) $V_{C,\max} = V_{L,\max}$
- 3) $V_{C,\max} < V_{L,\max}$
- 4) Depends on R