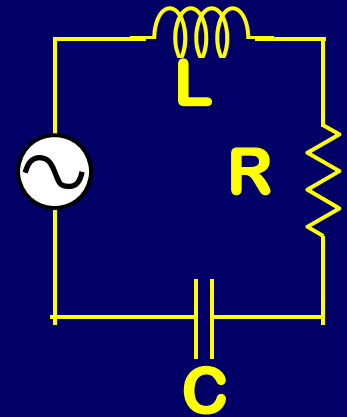
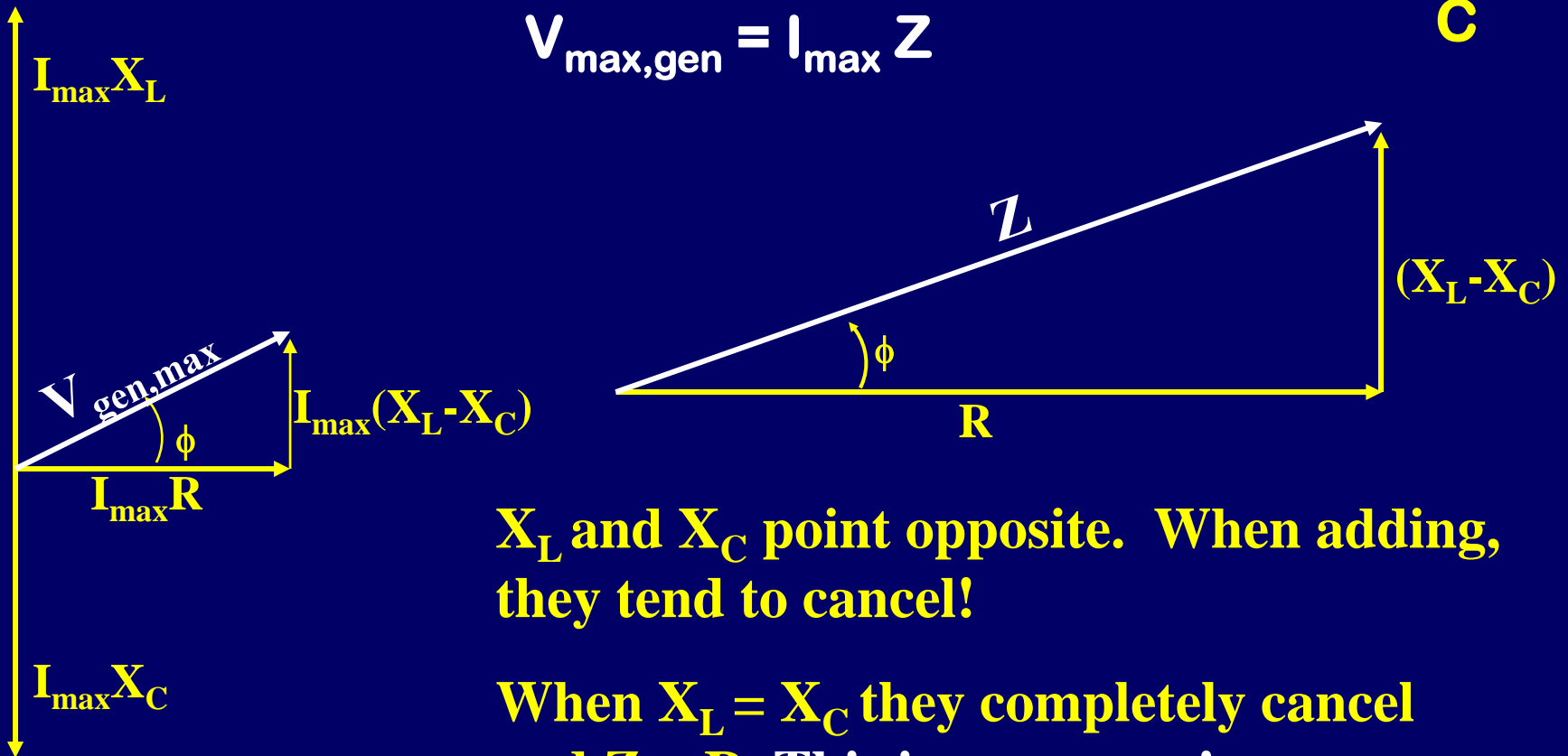


Resonance and the Impedance Triangle



$$V_{\text{max,gen}} = I_{\text{max}} Z$$



X_L and X_C point opposite. When adding, they tend to cancel!

When $X_L = X_C$ they completely cancel and $Z = R$. This is resonance!