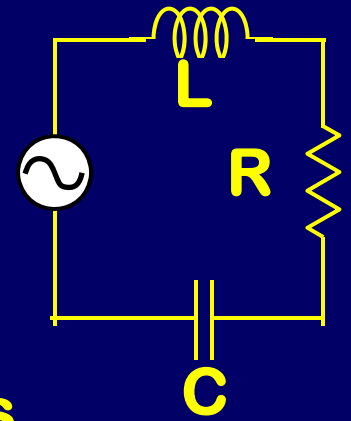


# Peak & RMS values in AC Circuits (REVIEW)



**When asking about RMS or Maximum values  
relatively simple expressions**

$$V_{R,\max} = I_{\max}R$$

$$V_{C,\max} = I_{\max}X_C \quad X_C = \frac{1}{2\pi fC} = \frac{1}{\omega C}$$

$$V_{L,\max} = I_{\max}X_L \quad X_L = 2\pi fL = \omega L$$