

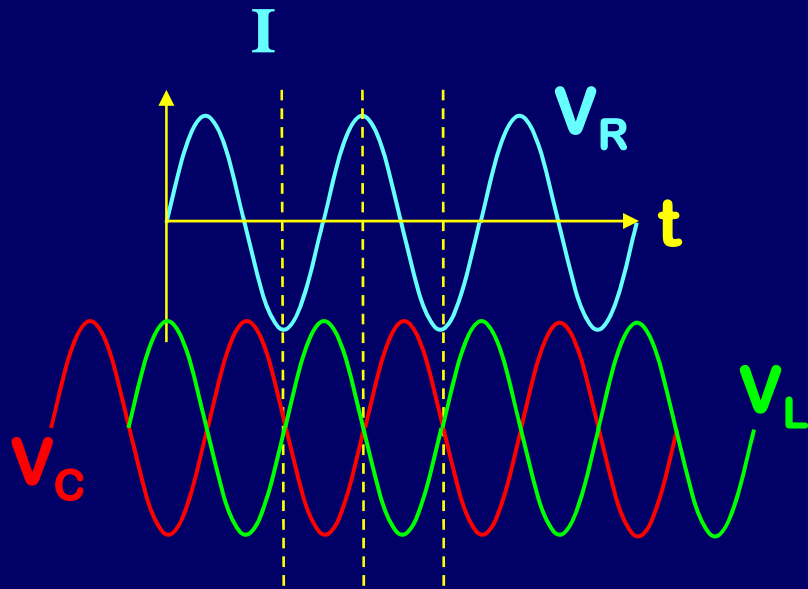
# AC circuit summary

Kirchoff's Loop Equation always holds true:

$$V_{\text{gen}} = V_L + V_R + V_C$$

However,  $V_{\text{gen,max}} \neq V_{L,\text{max}} + V_{R,\text{max}} + V_{C,\text{max}}$

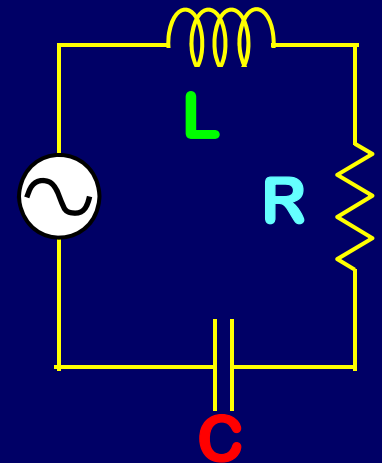
Maximum reached at different times for R, L, C



$V_R$  in phase with  $I$

$V_C$  lags  $I$

$V_L$  leads  $I$



Phasors represent instantaneous voltages