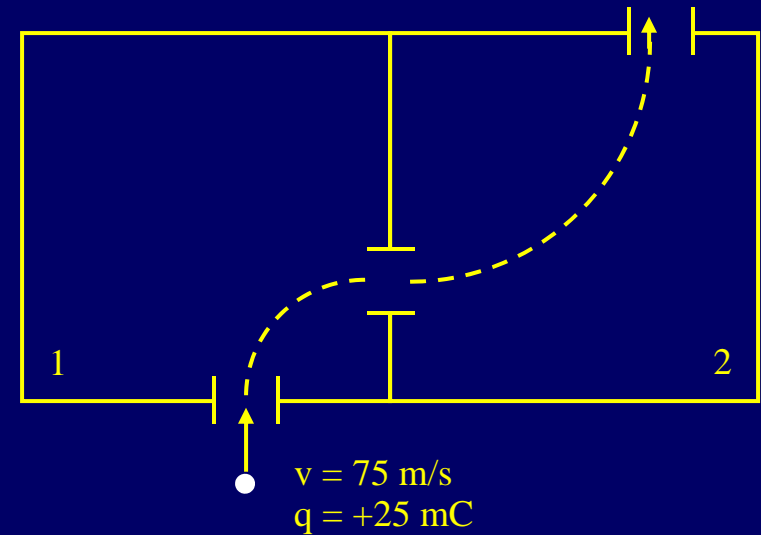


# Preflight 8.3

Each chamber has a unique magnetic field. A positively charged particle enters chamber 1 with velocity 75 m/s up, and follows the dashed trajectory.



What is the direction of the **force** on the particle just as it enters region 1?

- 1) up
- 2) down
- 3) left
- 4) right
- 5) into page
- 6) out of page