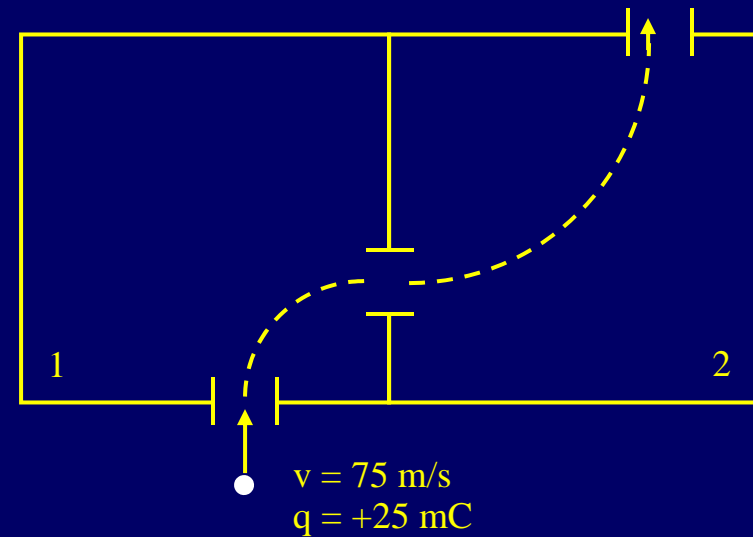


# Preflight 8.8

Each chamber has a unique magnetic field. A positively charged particle enters chamber 1 with velocity  $v_1 = 75$  m/s up, and follows the dashed trajectory.



**Compare the magnitude of the magnetic field in chambers 1 and 2**

- 1)  $B_1 > B_2$
- 2)  $B_1 = B_2$ .
- 3)  $B_1 < B_2$