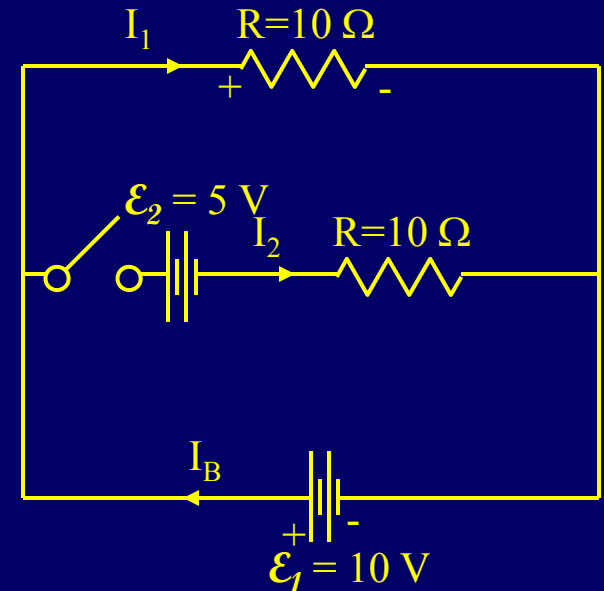


Preflight 6.1

Calculate the current through resistor 1.

- 1) $I_1 = 0.5 \text{ A}$ 2) $I_1 = 1.0 \text{ A}$ 3) $I_1 = 1.5 \text{ A}$

$$\mathcal{E}_1 - I_1 R = 0 \Rightarrow I_1 = \mathcal{E}_1 / R = 1 \text{ A}$$



ACT: Voltage Law

How would I_1 change if the switch was opened?

1) Increase

2) No change

3) Decrease