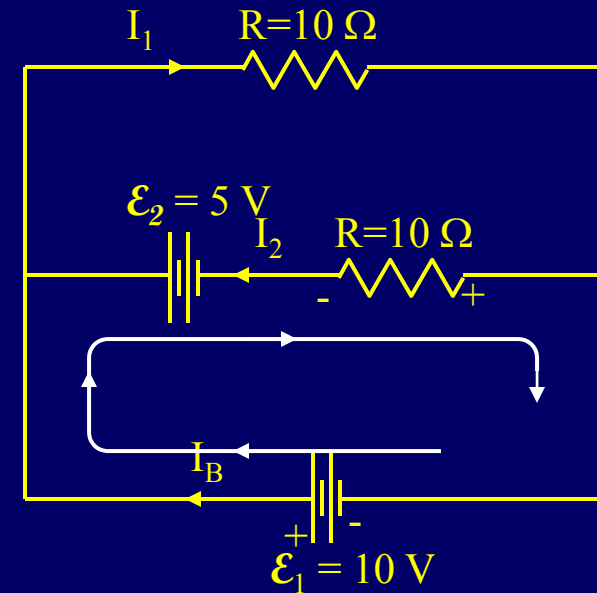


Preflight 6.2

How do I know the direction of I_2 ?

It doesn't matter. Choose whatever direction you like. Then solve the equations to find I_2 . If the result is positive, then your initial guess was correct. If result is negative, then actual direction is opposite to your initial guess.

Work through preflight with opposite sign for I_2 ?



$$+\mathcal{E}_1 - \mathcal{E}_2 + I_2 R = 0 \quad \text{Note the sign change from last slide}$$

$\Rightarrow I_2 = -0.5\text{A}$ Answer has same magnitude as before but opposite sign. That means current goes to the right, as we found before.