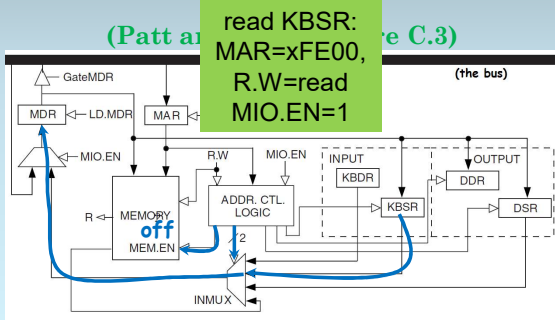


### Example: Reading the KBSR



### Example: Writing the DDR

