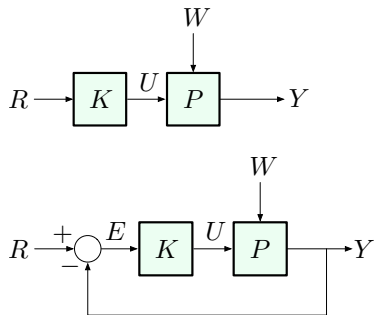


## Basic Objectives of Control



- ▶ track a given reference
- ▶ reject disturbances
- ▶ meet performance specs

Intuitively, the difference between the open-loop and the closed-loop architectures is clear (think cruise control ...)