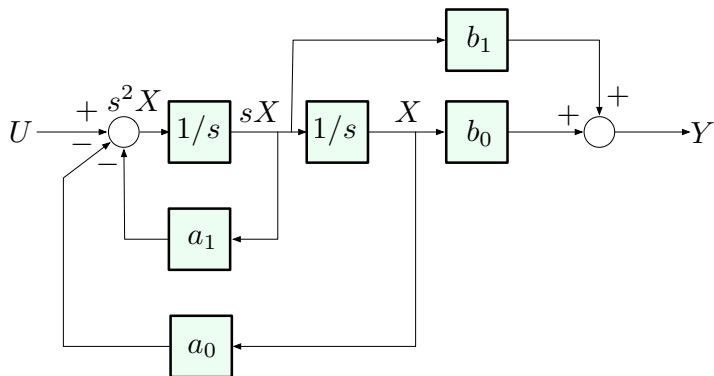


Example 3, continued



State-space model:

$$s^2 X = U - a_1 sX - a_0 X$$

$$\ddot{x} = -a_1 \dot{x} - a_0 x + u$$

$$Y = b_1 sX + b_0 X$$

$$y = b_1 \dot{x} + b_0 x$$