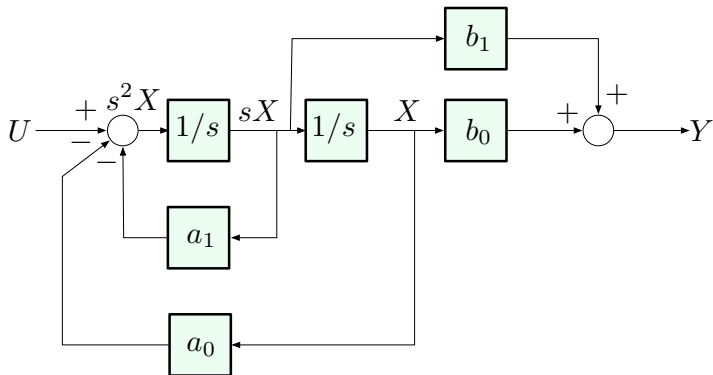


Example 3, continued

All-integrator diagram for $H(s) = \frac{b_1s + b_0}{s^2 + a_1s + a_0}$



Can we write down a state-space model corresponding to this diagram?