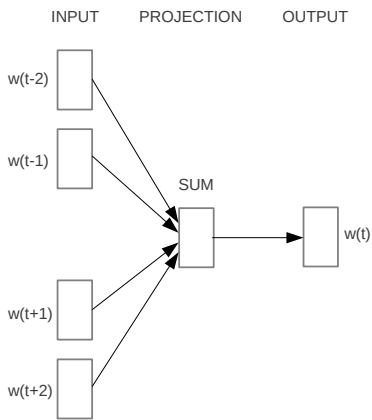
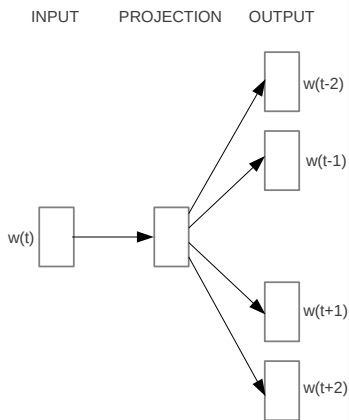


The CBOW and Skip-Gram Models⁴ (word2vec)



CBOW



Skip-gram

⁴Tomas Mikolov et al. "Efficient estimation of word representations in vector space". In: *ICLR Workshop* (2013).